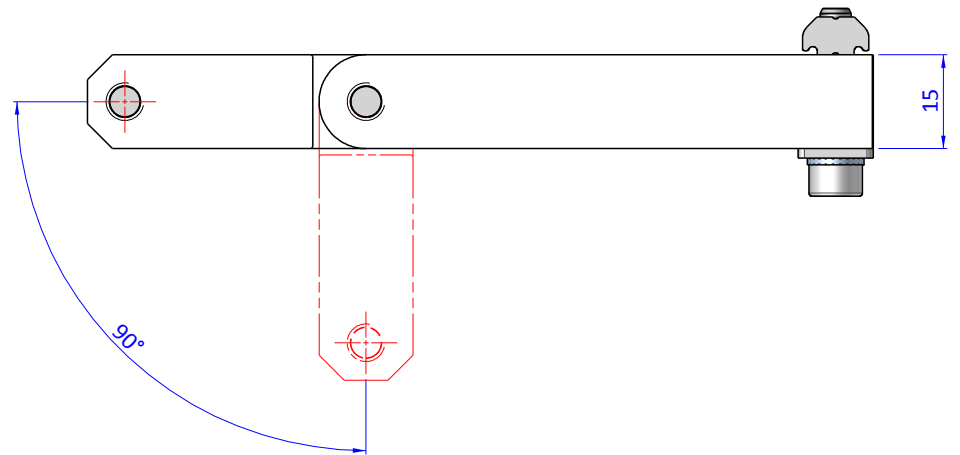
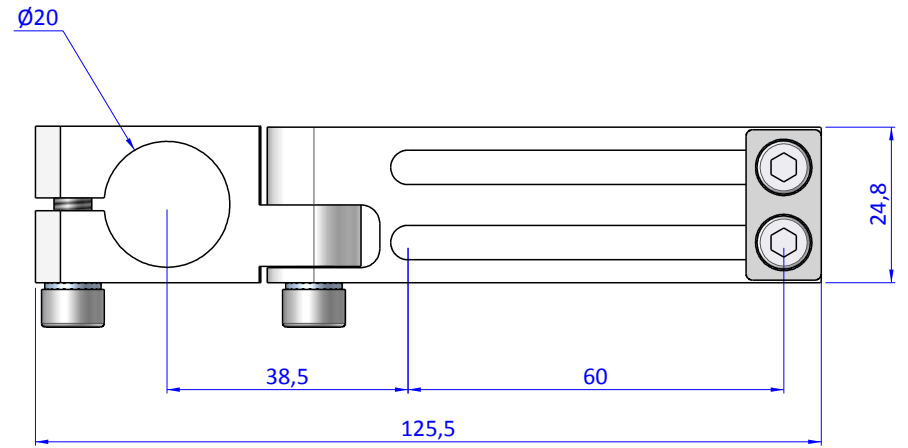
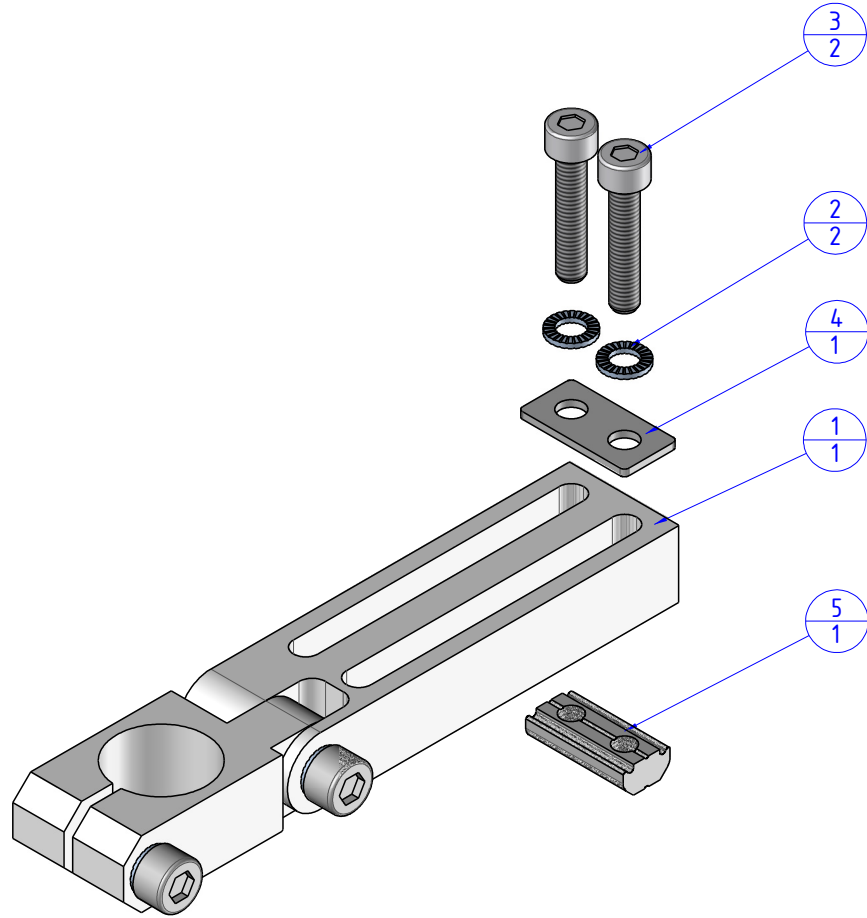


THE PROPERTY OF THE DRAWING IS ESTABLISHED BY LAW. IT IS FORBIDDEN TO PRODUCE OR SHOW IT TO THIRD PARTY, WITHOUT A WRITTEN AGREEMENT.

Item	Name	Q.ty
1	CA.WSL.GA.20	1
2	R.5.SCH	2
3	VTCE5x25	2
4	R.05.12	1
5	CA.GWP.5.12	1



Format A3

UNI 936-76

		DESIGNED FROM	REVIEW
		FP SERVICES	A
GENERAL TOLERANCE	DESCRIPTION	DATE	WEIGHT
UNI - ISO 2768	CA.WSL.GA.20.X	16/11/2018	0,118kg
CLASSE f		CODE	CA.WSL.GA.20.X